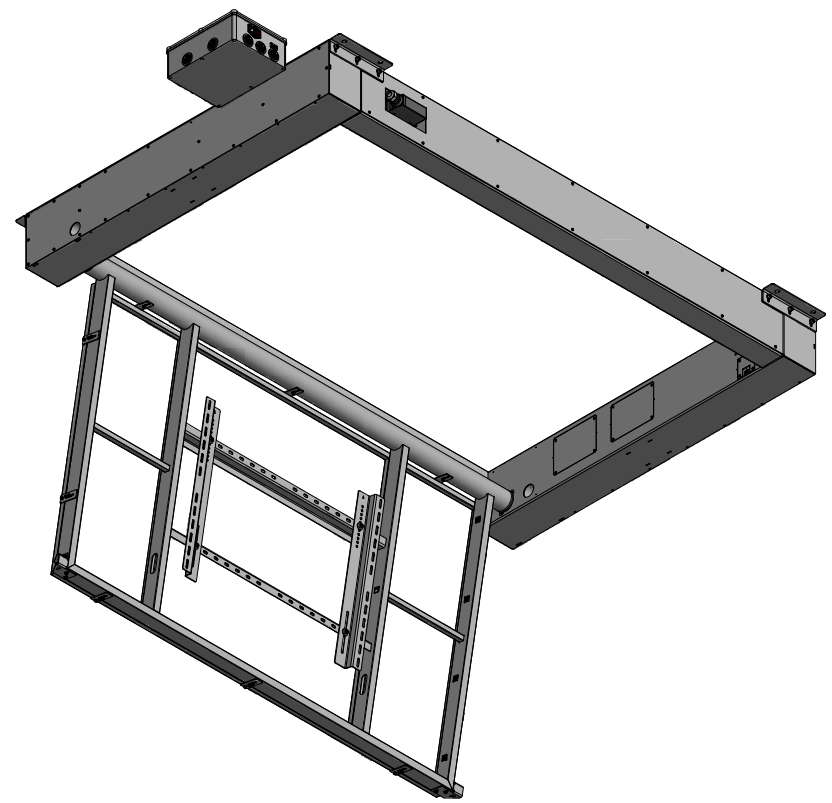
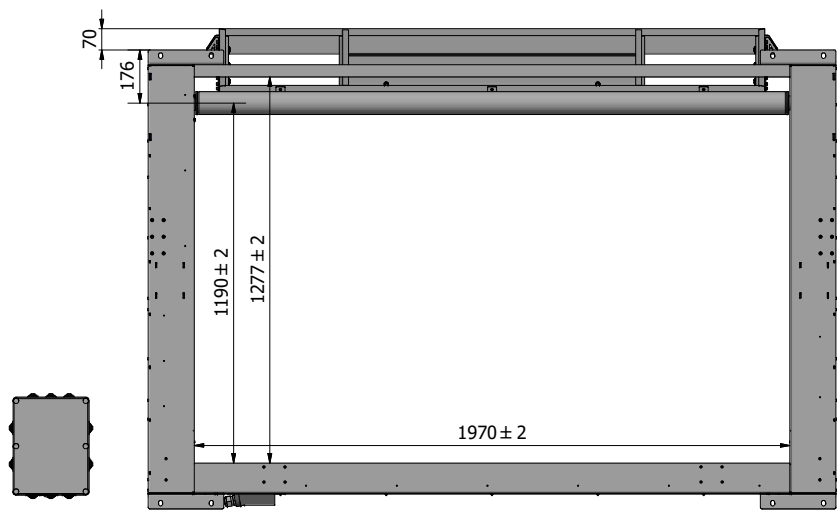
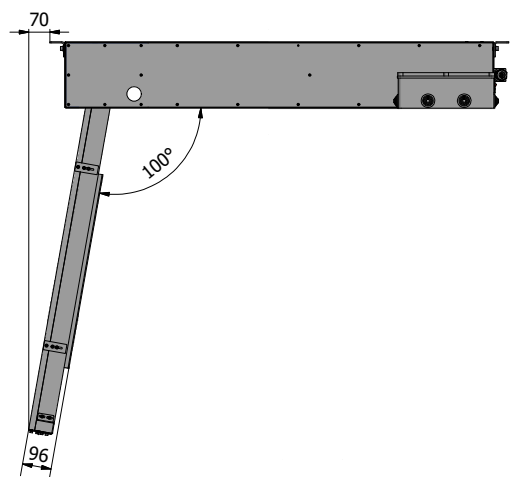
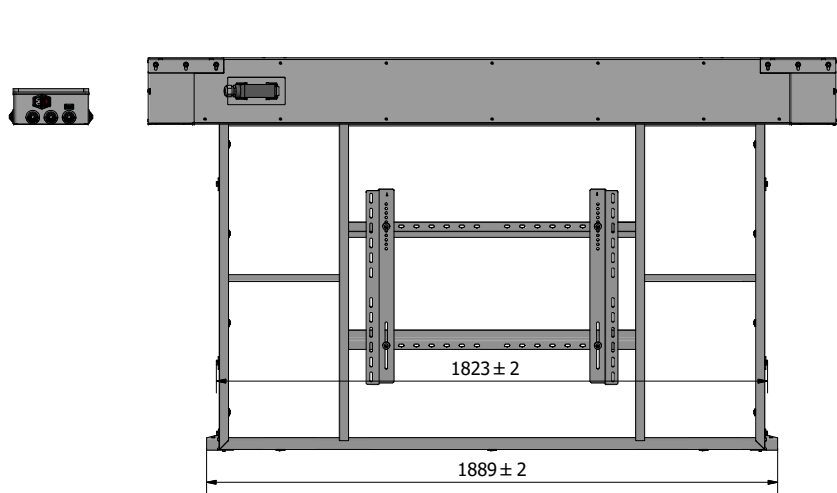


8 7 6 5 4 3 2 1



CATEGORY	FLAT PANEL CEILING LIFT	DRAWING TYPE	
MODEL	FPLCV2-85	DRAFT	FINAL
FEATURE	MAXIMUM SWIVELING ANGLE 100° LOCKING SYSTEM		X
COLOUR	POWDER COATING BLACK (RAL9005) OR WHITE GLOSS (RAL9016)	REVERSION	DATE
DRAWING No	V1.1.05052020-SK	NO	



ALL RIGHTS STRICTLY RESERVED. REPRODUCTION OR ISSUE TO THIRD PARTIES IN ANY FORM WHATSOEVER, IS NOT PERMITTED WITHOUT WRITTEN AUTHORITY FROM UNITECH SYSTEMS.

8 7 6 5 4 3 2 1