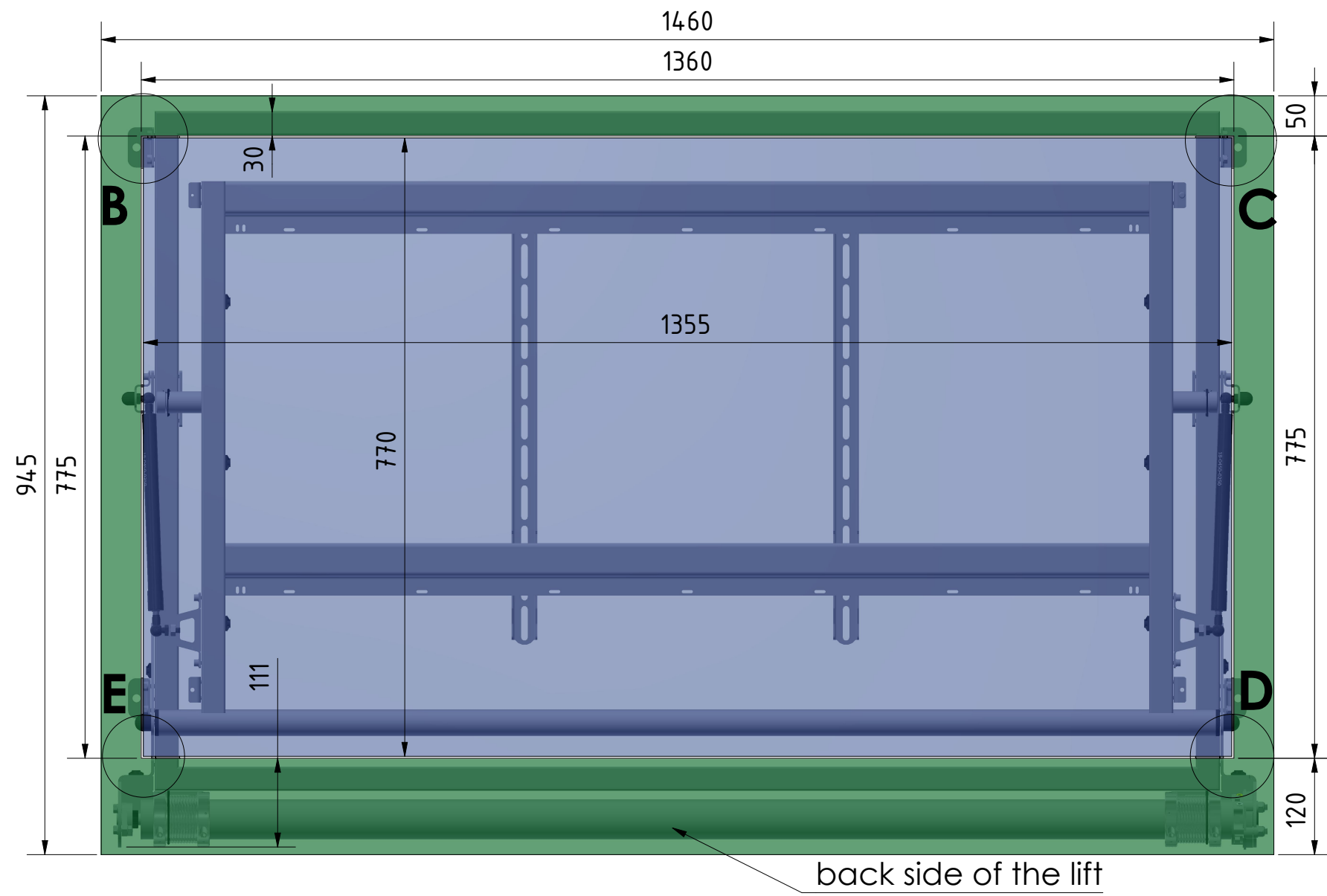
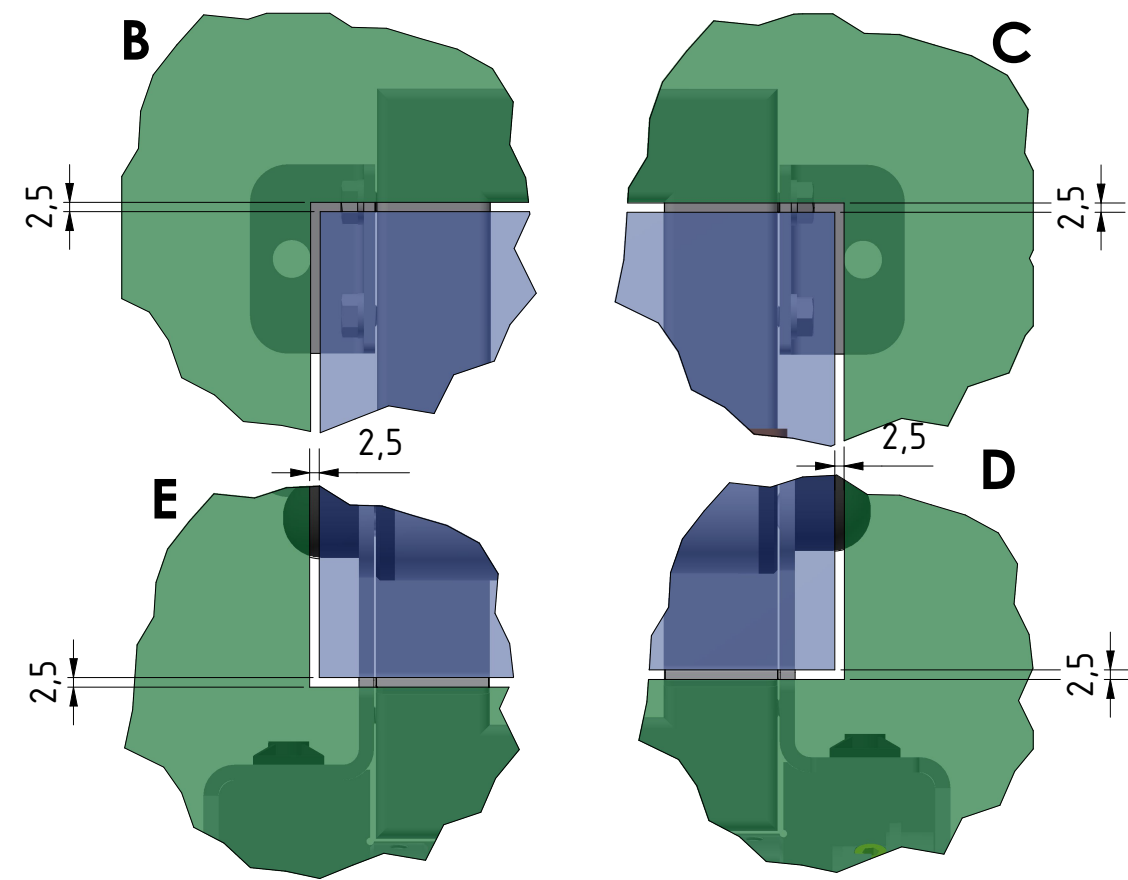


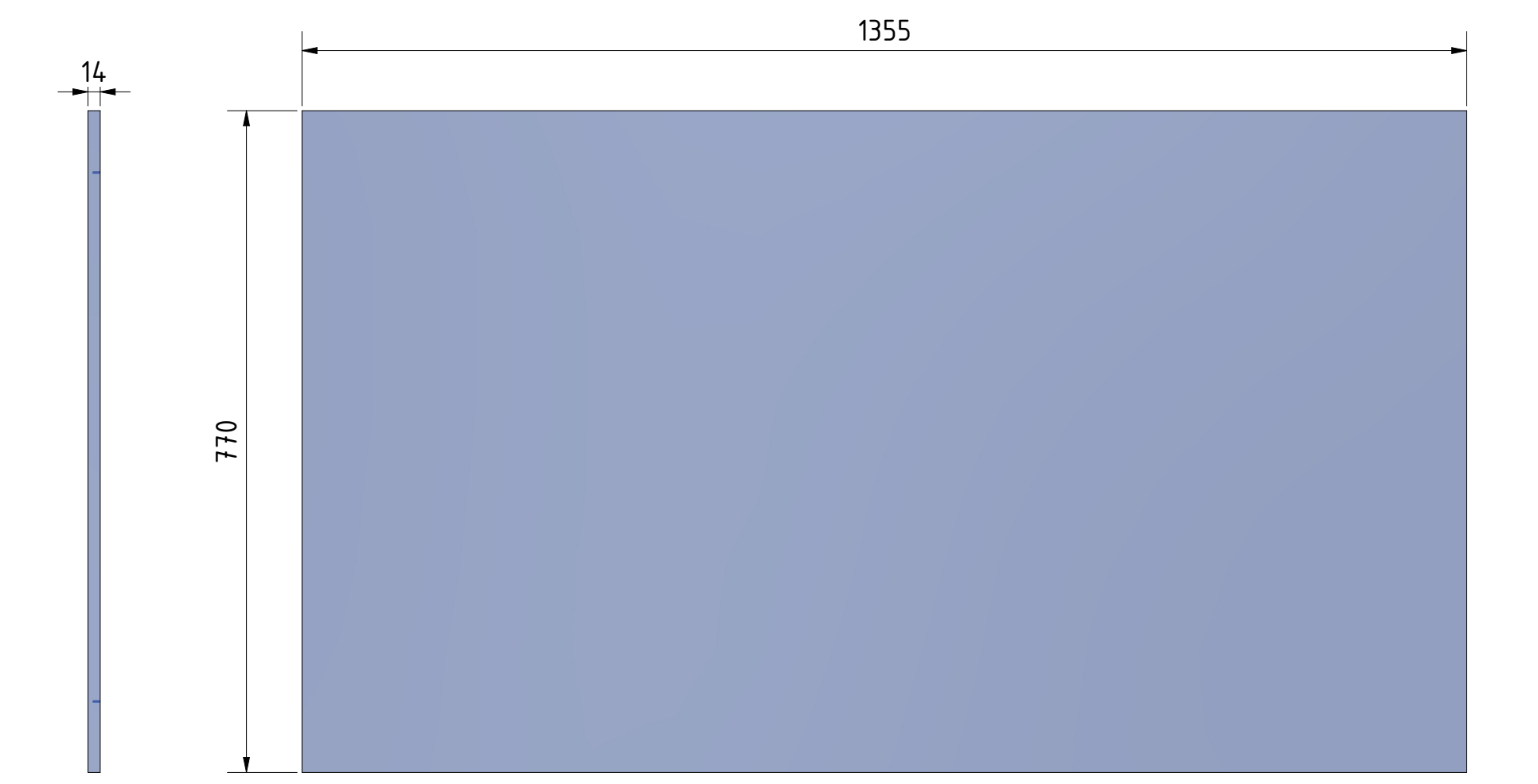
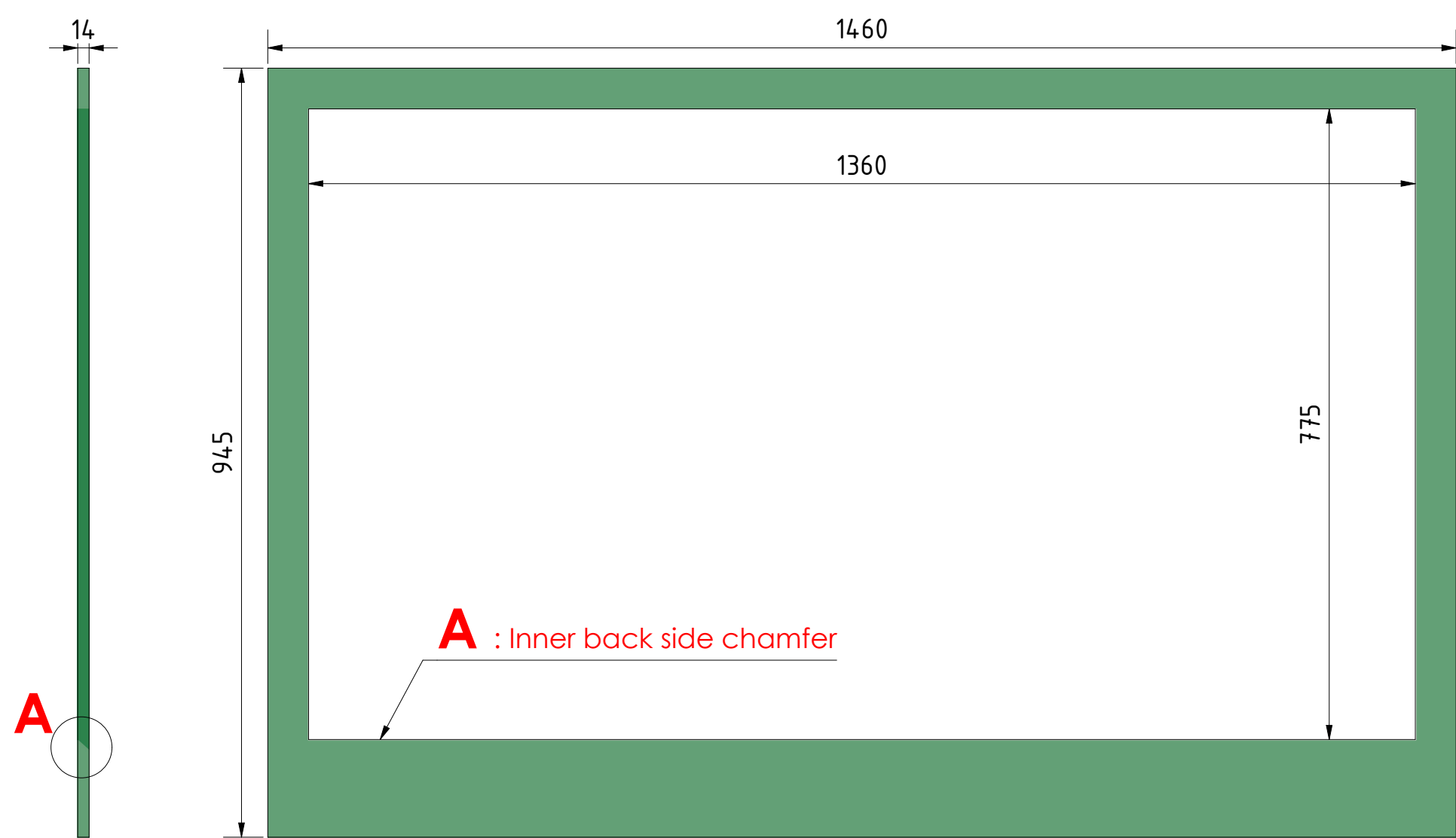
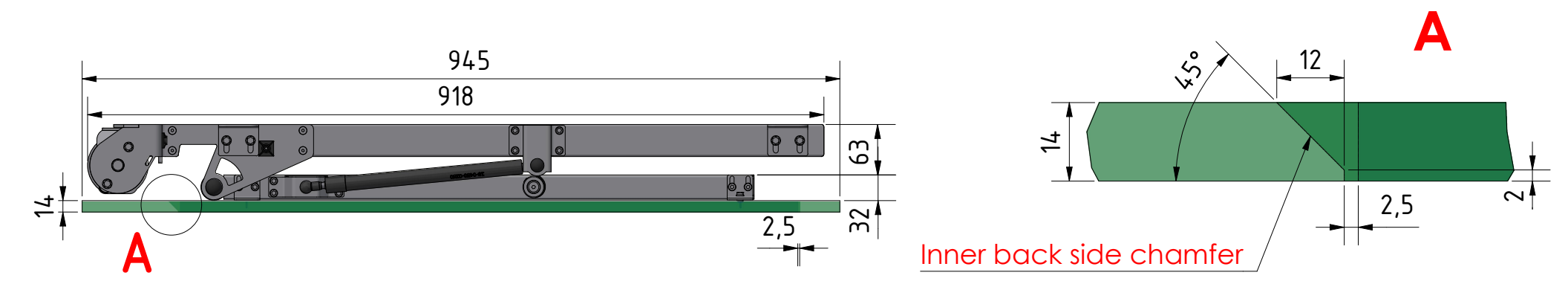
FPLCV6-55 (v092024) Ceiling Details



back side of the lift



false ceiling material pitch	maximum opening angle (adjustable)	required gap at back side of opening cover with fixed ceiling	required inner chamfer at fixed ceiling cover (green)
20mm	110°	12mm	No chamfer
20mm	100°	2,5mm	With chamfer
18mm	110°	9mm	With chamfer
18mm	102°	2,5mm	With chamfer
16mm	110°	6mm	With chamfer
16mm	105°	2,5mm	With chamfer
14mm	110°	2,5mm	With chamfer



CATEGORY		DRAWING TYPE	
FLAT PANEL CEILING LIFT <td>FPLCV6-55 (v092024)</td> <td>DRAFT</td> <td>FINAL</td>	FPLCV6-55 (v092024)	DRAFT	FINAL
FEATURE	ULTRA SLIM LIFT, OPENING ANGLE UP TO 110o, MAXIMUM LOAD CAPACITY (TV+ceiling cover) <30kg		x
COLOUR	POWDER COATING RAL9016 WHITE or RAL9005 BLACK	DIMENSIONS TOLERANCE	
DRAWING No	V092024-CA	APPROVED BY:	+/-0,5%



ALL RIGHTS STRICTLY RESERVED. REPRODUCTION OR ISSUE TO THIRD PARTIES IN ANY FORM WHATSOEVER, IS NOT PERMITTED WITHOUT WRITTEN AUTHORITY FROM UNITECH SYSTEMS.