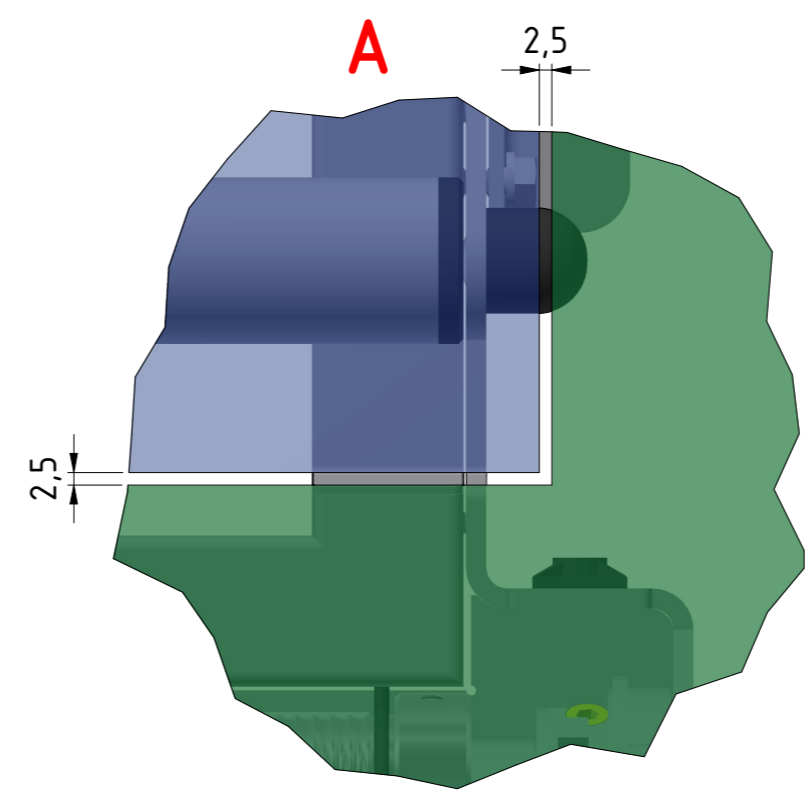
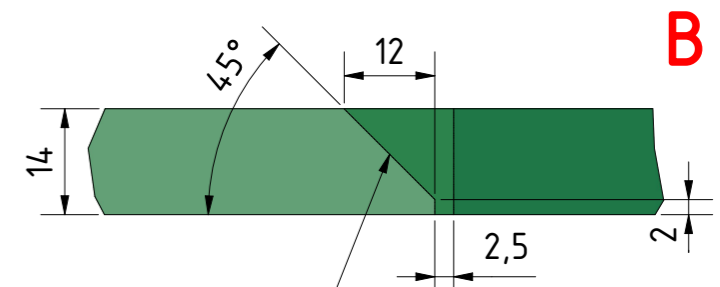
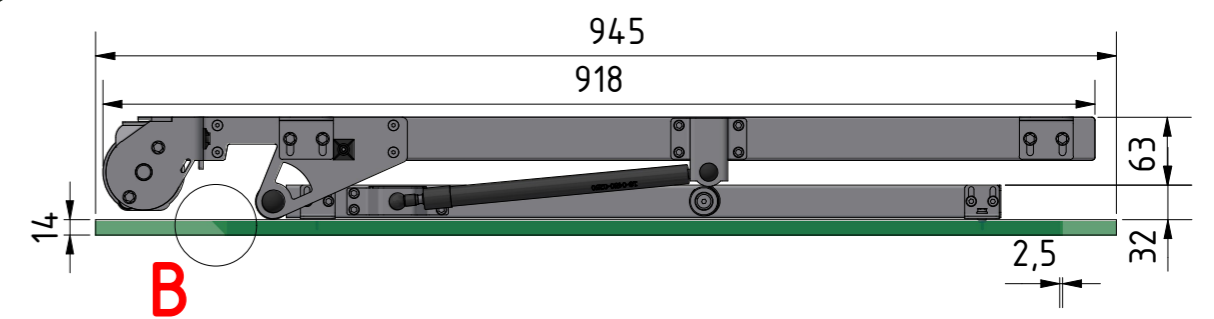
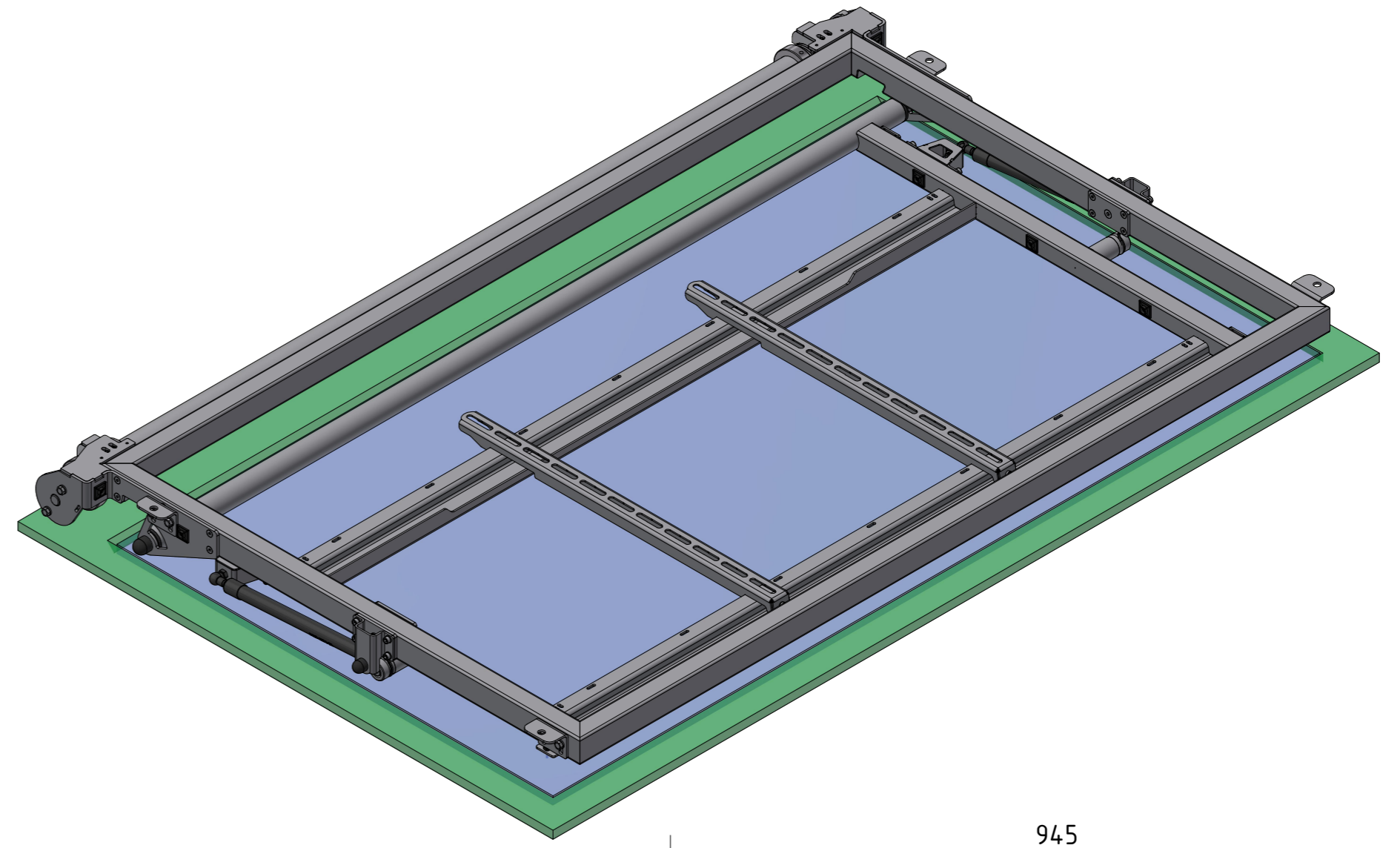
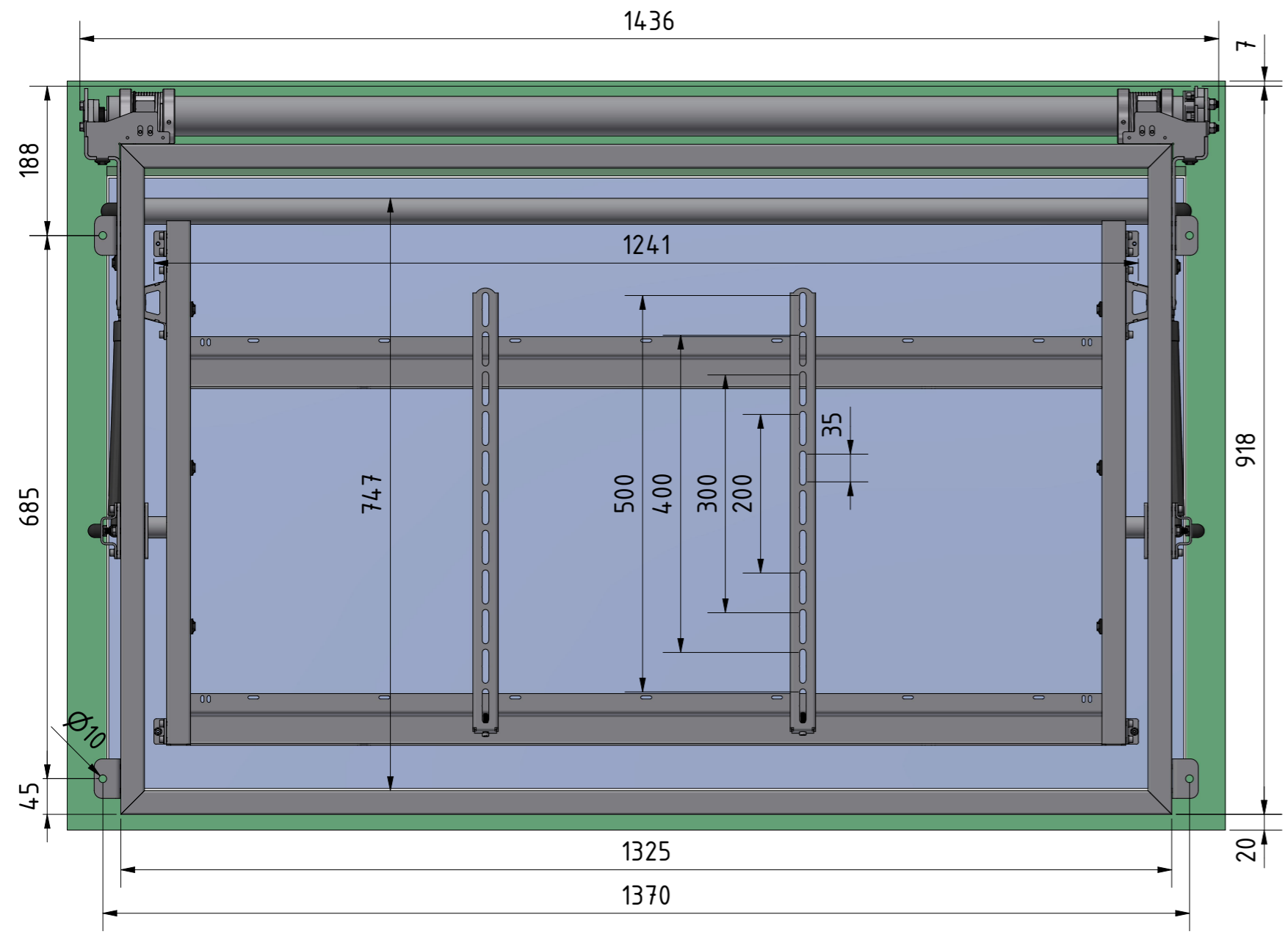
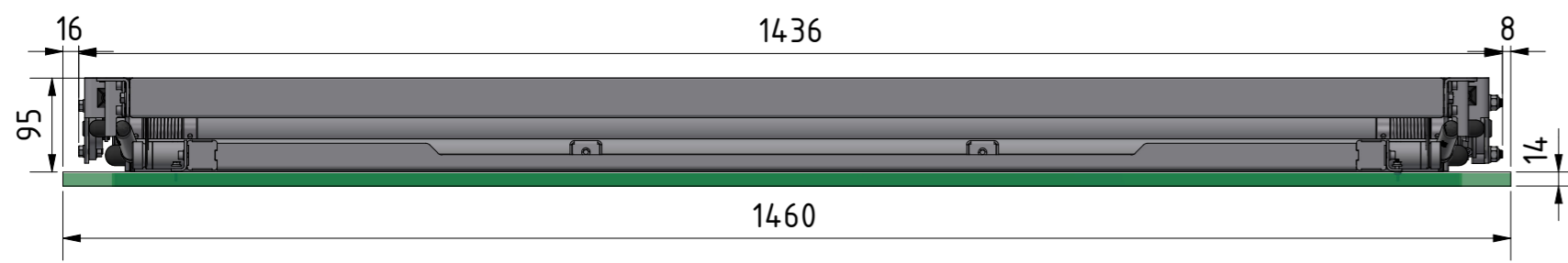
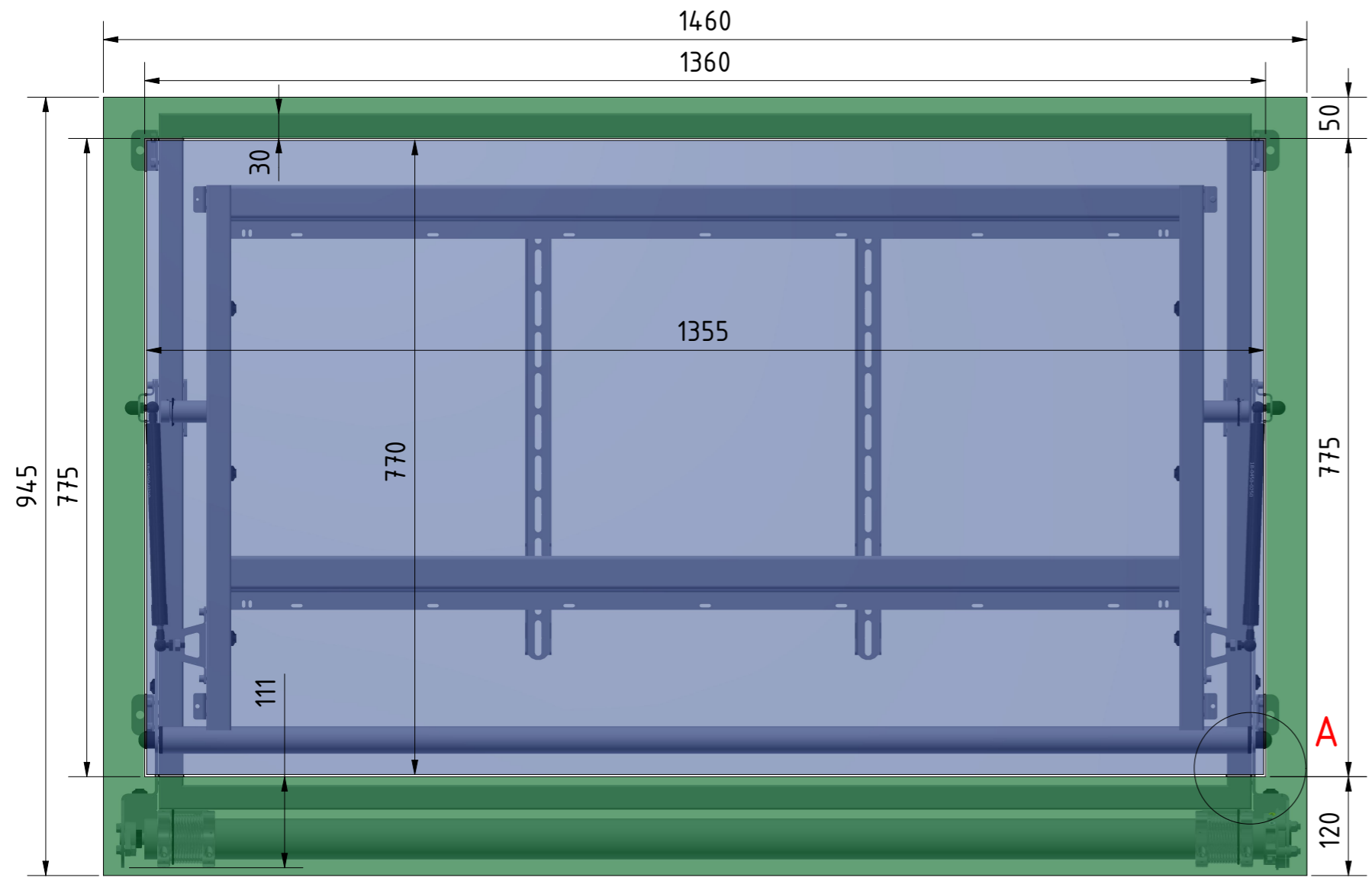



FPLCV6-55 (v092024) closed + ceiling covers



CATEGORY	FLAT PANEL CEILING LIFT	DRAWING TYPE		
MODEL	FPLCV6-55 (v092024)	DRAFT	FINAL	
FEATURE	ULTRA SLIM LIFT, OPENING ANGLE UP TO 110°, MAXIMUM LOAD CAPACITY (TV+ceiling cover) <30kg	X		DIMENSIONS TOLERANCE +/-0,5%
COLOUR	POWDER COATING RAL9016 WHITE or RAL9005 BLACK			
DRAWING No	V092024-CA	APPROVED BY:		

ALL RIGHTS STRICTLY RESERVED. REPRODUCTION OR ISSUE TO THIRD PARTIES IN ANY FORM WHATSOEVER, IS NOT PERMITTED WITHOUT WRITTEN AUTHORITY FROM UNITECH SYSTEMS.