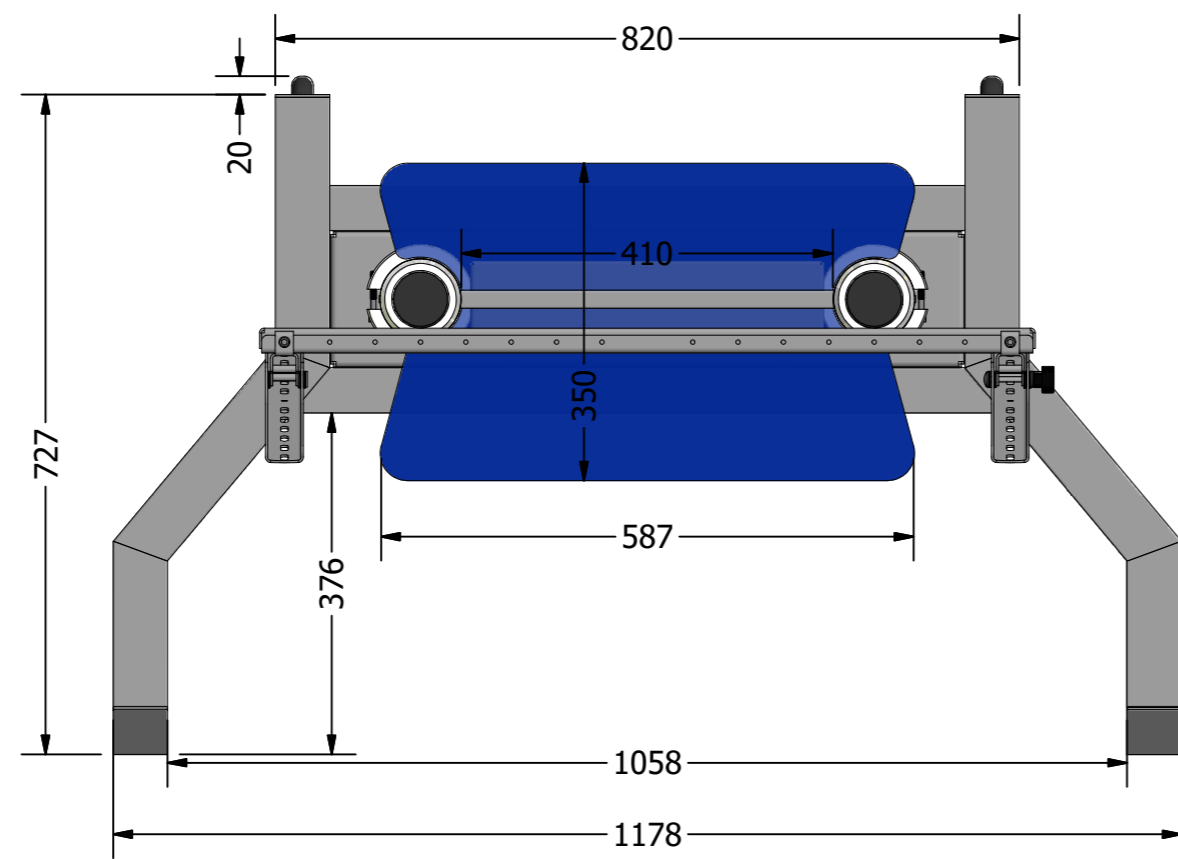
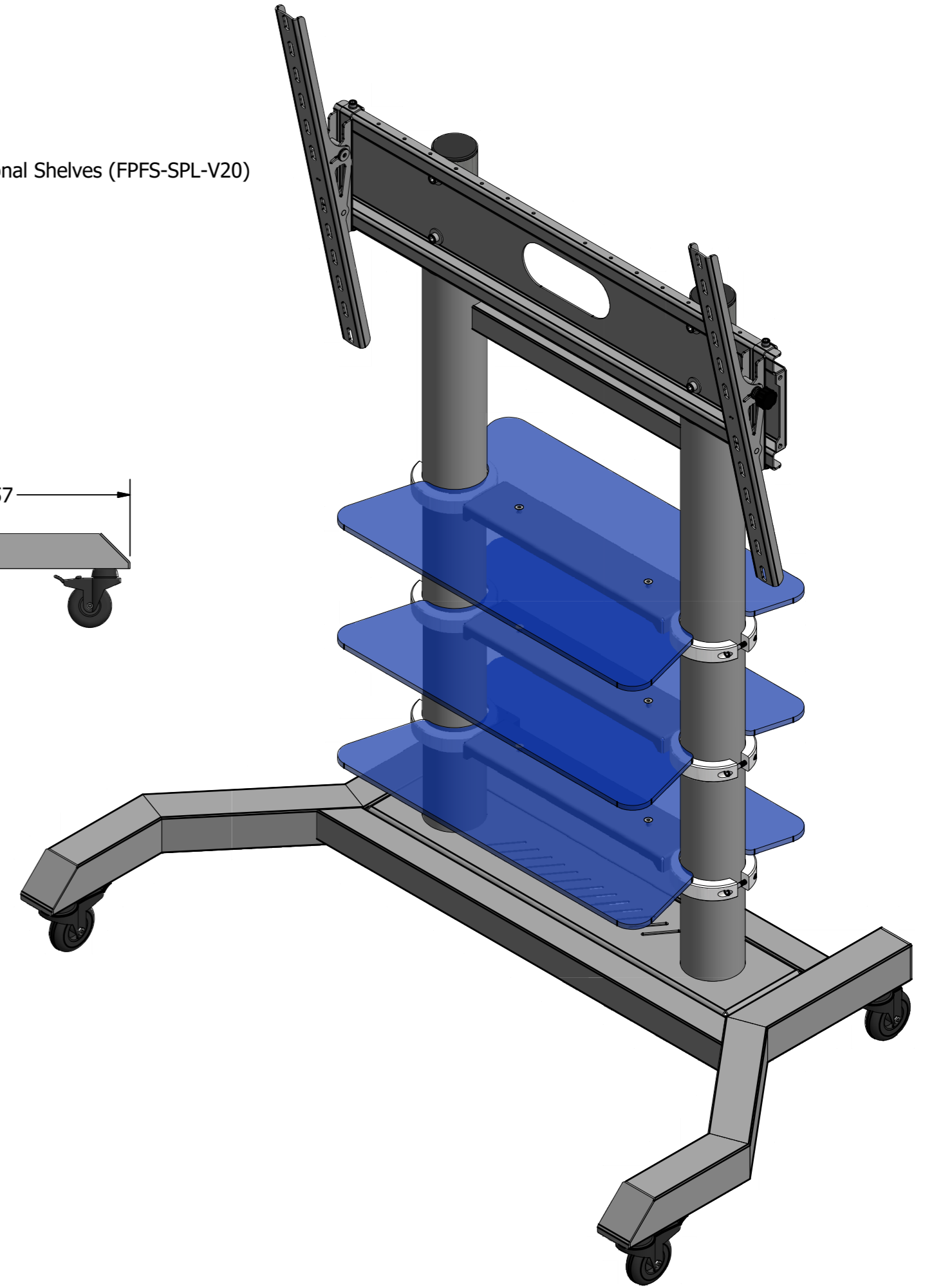
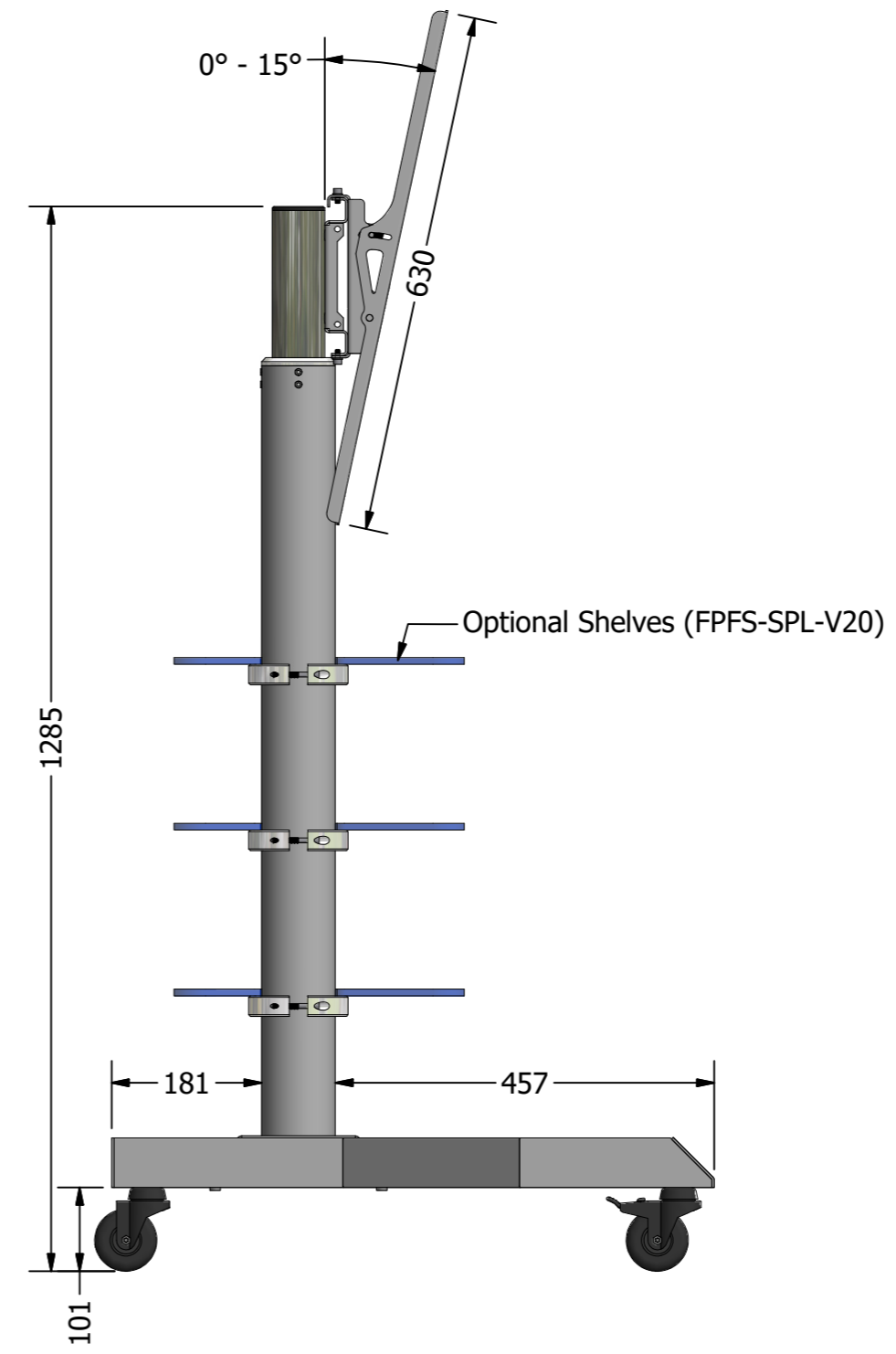
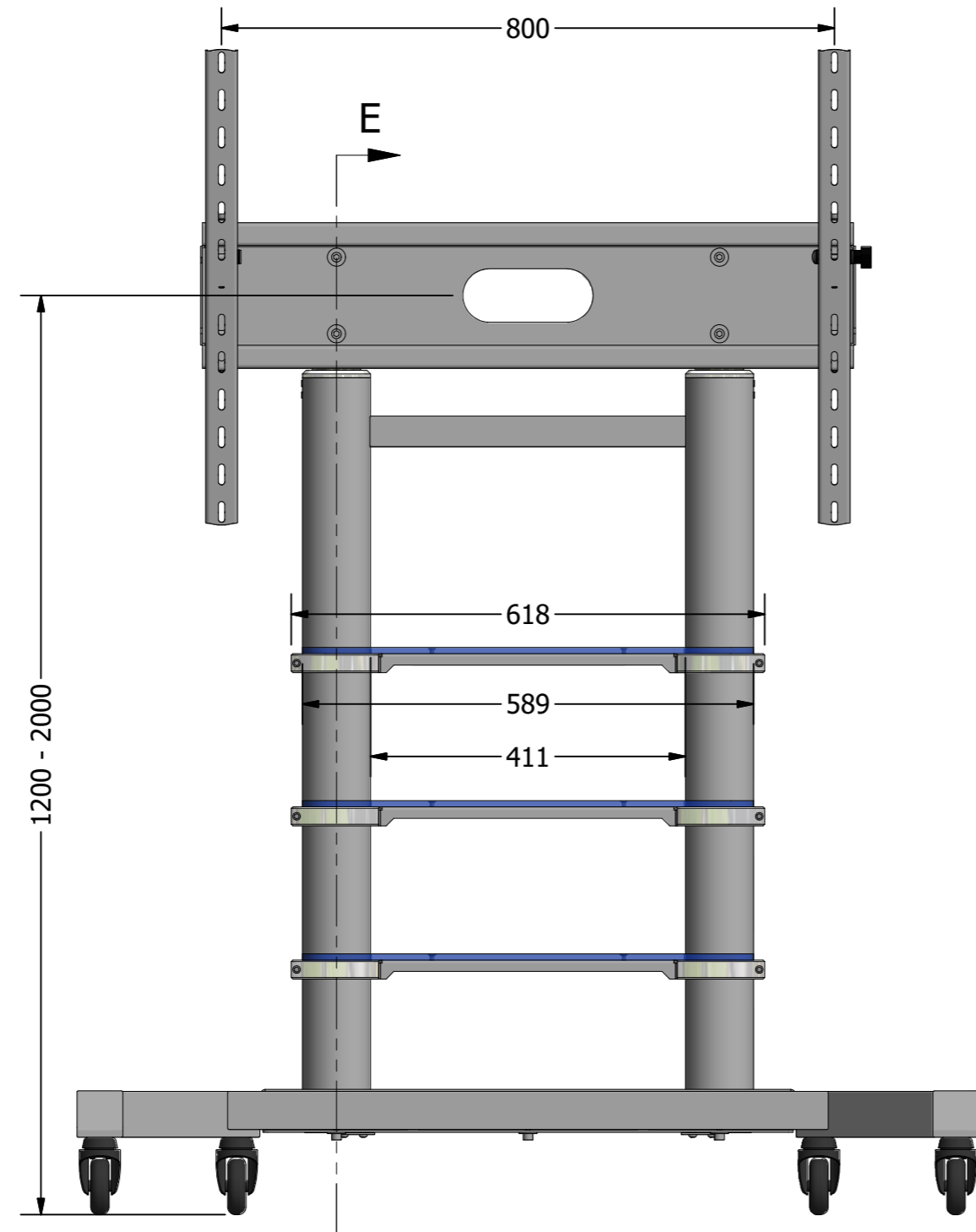
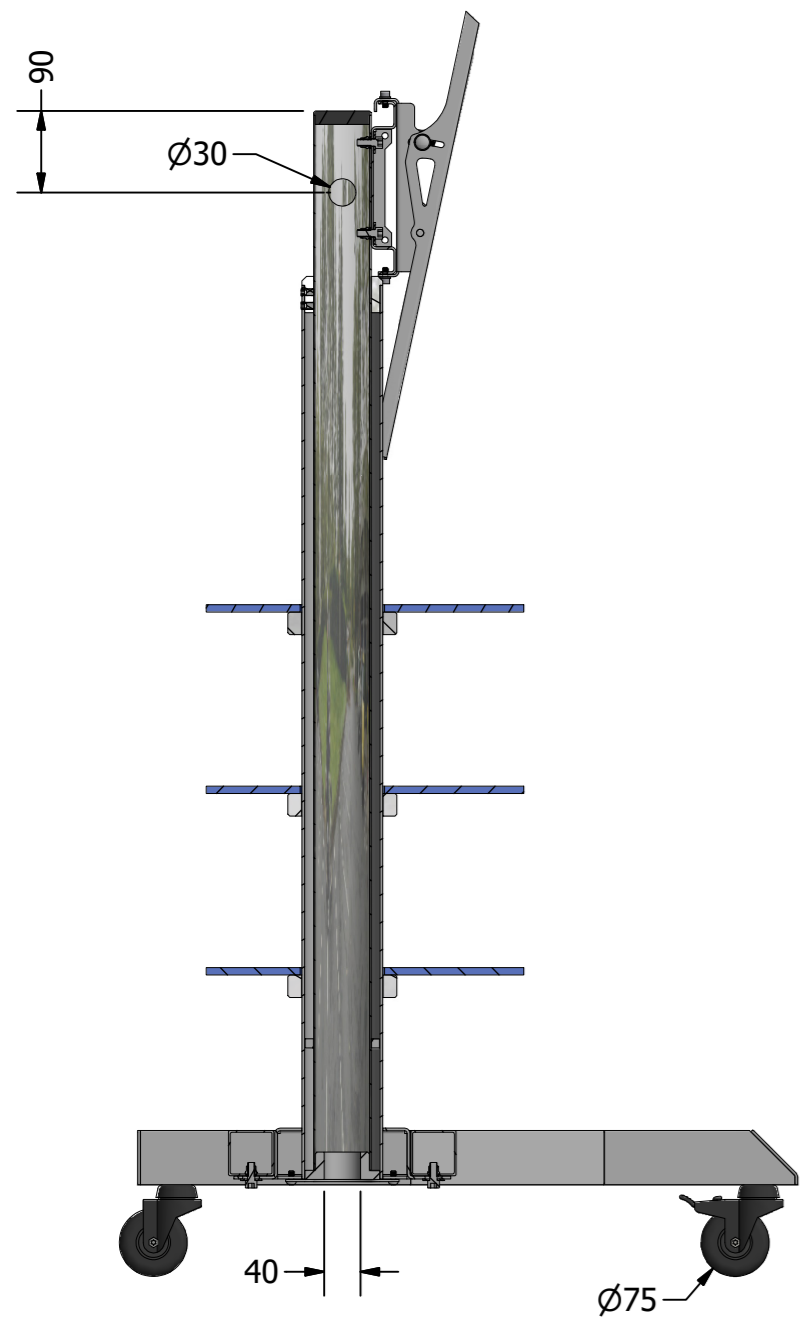


SECTION E-E  
SCALE 0,12 : 1



CATEGORY	FLAT PANEL FLOOR STAND	DRAWING TYPE	
MODEL	FPFSV20	DRAFT	FINAL
FEATURE	TELESCOPIC ADJUSTABLE HEIGHT 1200-2000mm VESA UP TO 800x600, MAXIMUM LOAD 80kg		x
COLOUR	POWDER COATING RAL9005	REVERSION	DATE
DRAWING No	V1.1.14042020-SK	NO	



ALL RIGHTS STRICTLY RESERVED. REPRODUCTION OR ISSUE TO THIRD PARTIES IN ANY FORM WHATSOEVER, IS NOT PERMITTED WITHOUT WRITTEN AUTHORITY FROM UNITECH SYSTEMS.