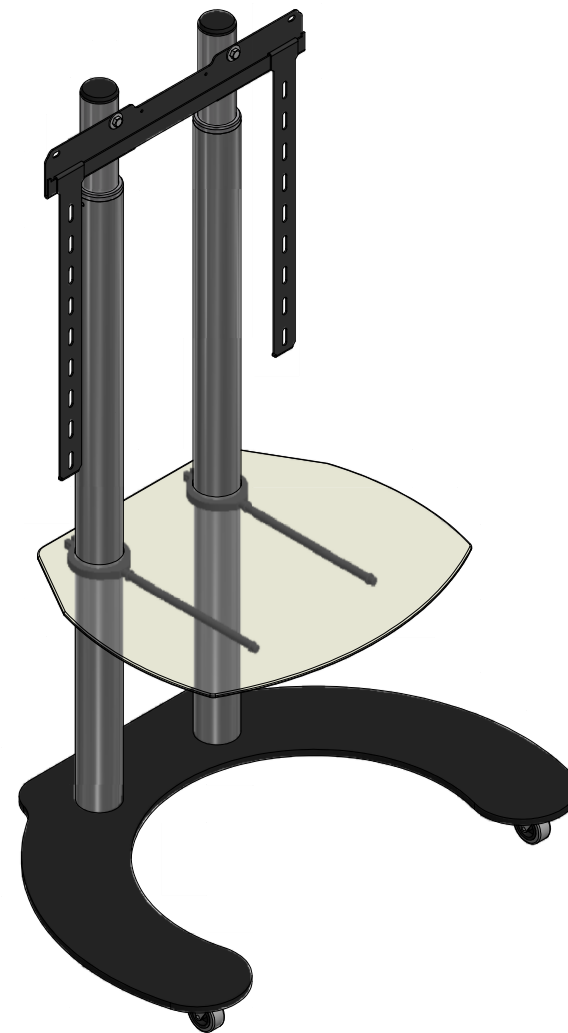


### Item codes included in this depiction

- 1 set x FPFS V5
- 1 set x FPFS W
- 1 set x FPFS-SPL (V5)



|            |   |              |       |
|------------|---|--------------|-------|
| CATEGORY   | FLAT PANEL FLOOR STAND                                | DRAWING TYPE |       |
| MODEL      | FPFS V5   | DRAFT        | FINAL |
| FEATURE    | VESA MOUNTING UP TO 400X400mm, MAX.LOADING 50KG       |              | X     |
| COLOUR     | METALLIC PARTS POWDER COATING IN RAL9005 (BLACK BUFF) | REVERSION    | DATE  |
| DRAWING No | V1.1.05082020-CA                                      | NO           |       |



ALL RIGHTS STRICTLY RESERVED. REPRODUCTION OR ISSUE TO THIRD PARTIES IN ANY FORM WHATSOEVER, IS NOT PERMITTED WITHOUT WRITTEN AUTHORITY FROM UNITECH SYSTEMS.