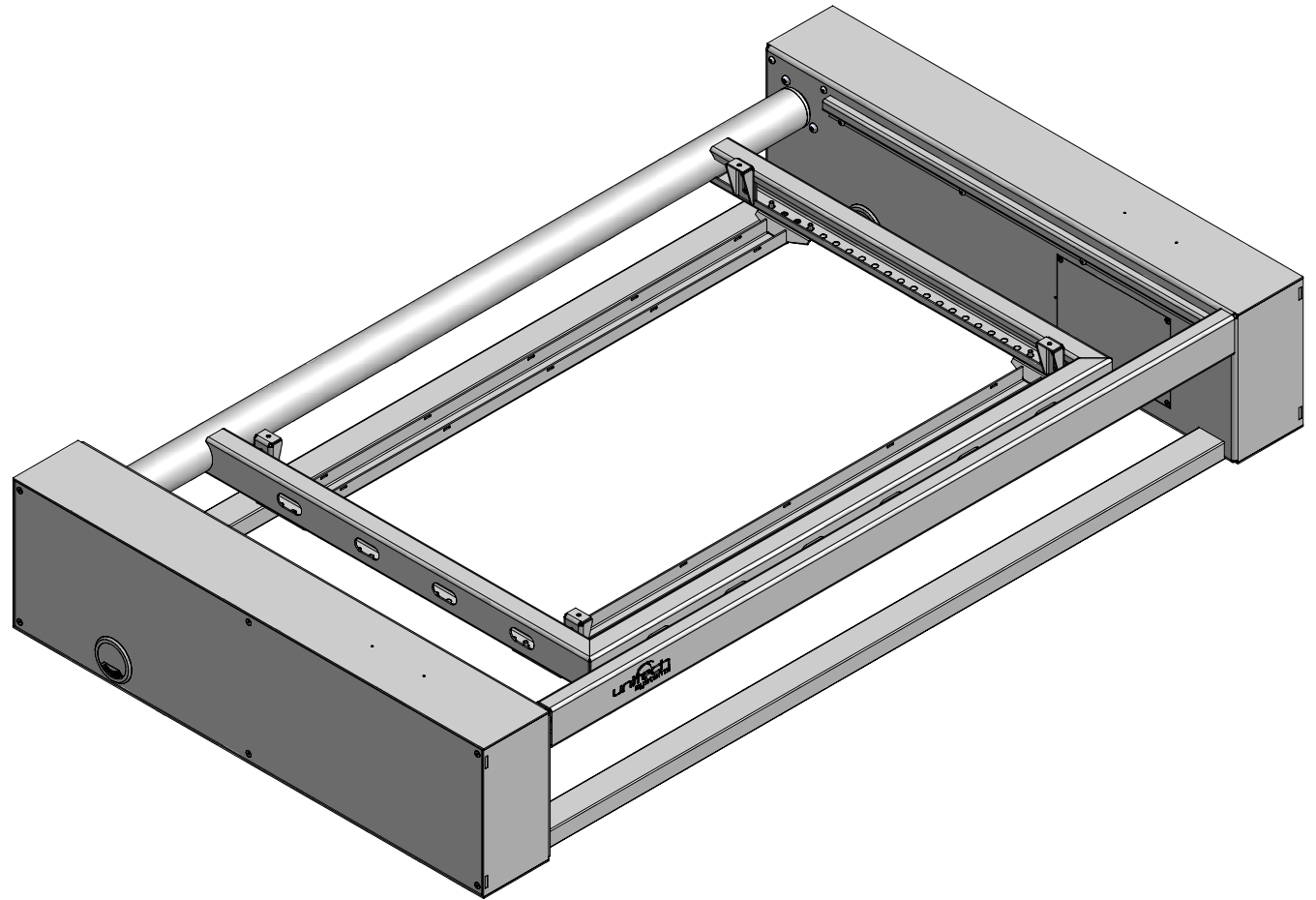
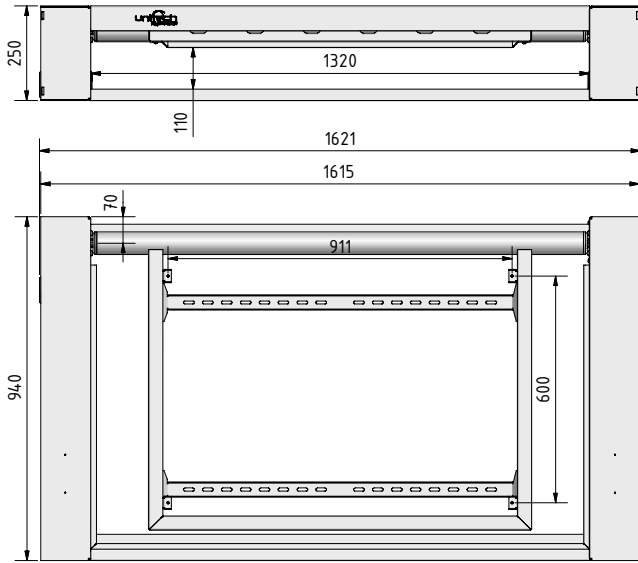


**FPLTV2 42-50**  
 Flat Panel Table Lift  
 Swivel: up to 100°  
 Max Screen Dimensions: 1280x756x100mm (WxHxD)  
 Max. Load: 40kg  
 Color: Black Ral 9005



CATEGORY	FLAT PANEL TABLE LIFT	DRAWING TYPE	
MODEL	FPLTV2 42-50	DRAFT	FINAL
FEATURE A	SWIVEL UP TO 100°	REVISION	DATE
FEATURE B			
DRAWING No	V1.1.18112011		



ALL RIGHTS STRICTLY RESERVED. REPRODUCTION OR ISSUE TO THIRD PARTIES IN ANY FORM WHATSOEVER, IS NOT PERMITTED WITHOUT WRITTEN AUTHORITY FROM UNITECH SYSTEMS.