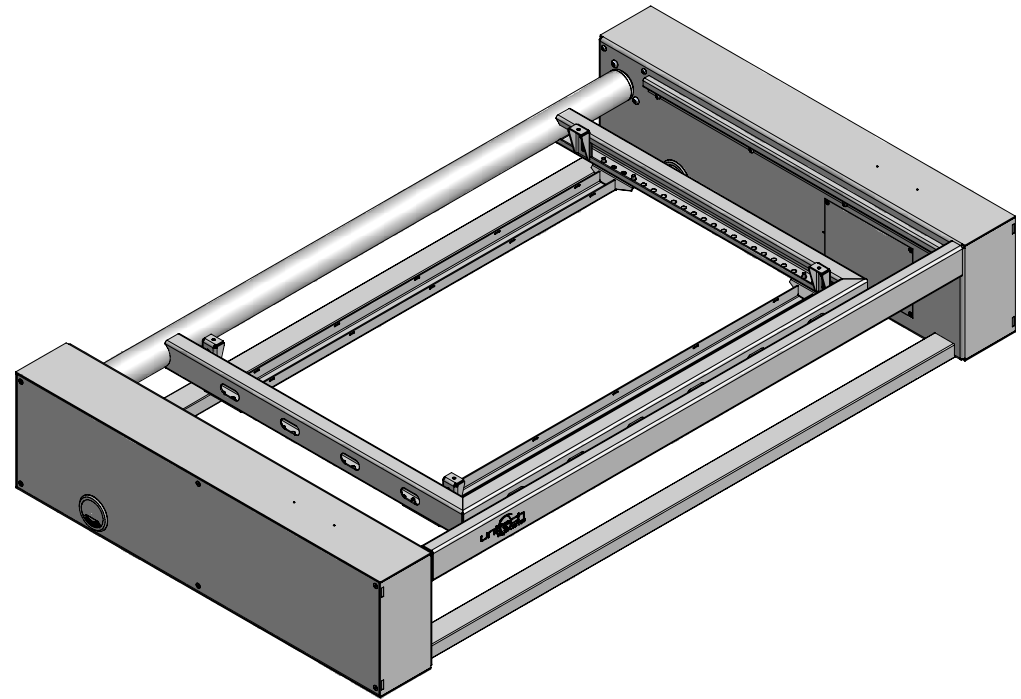
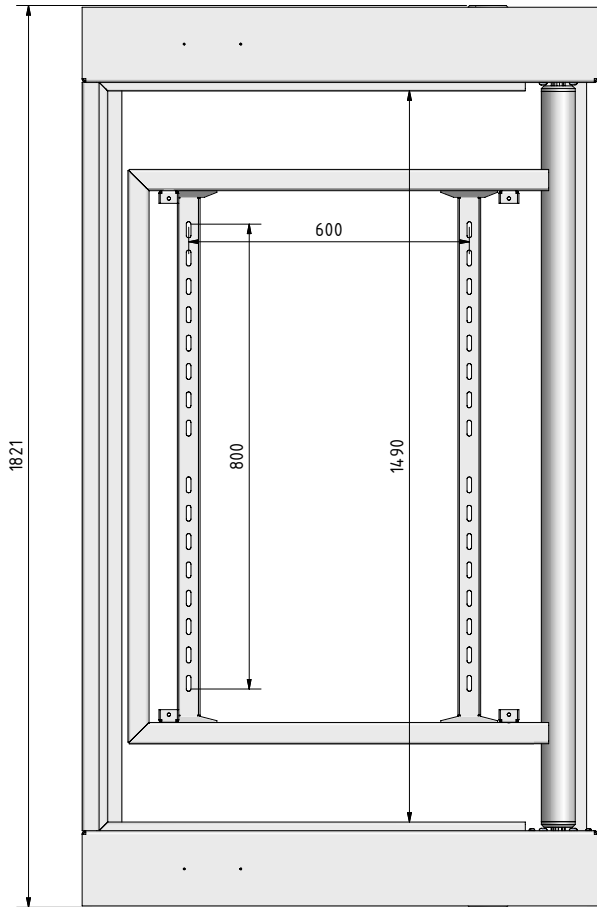
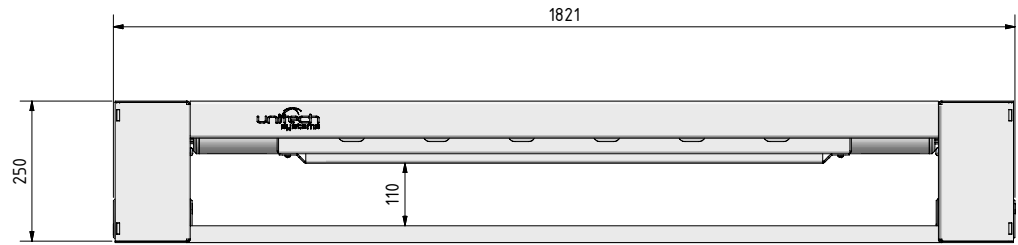
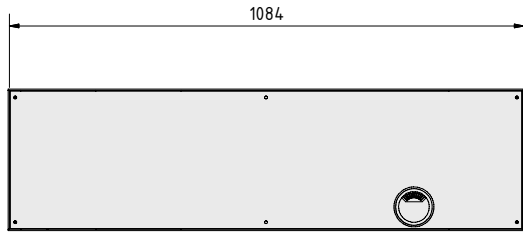


**FPLTV2 52-60**  
 Flat Panel Table Lift  
 Swivel: up to 100°  
 Max Screen Dimensions: 1480x900x100mm (WxHxD)  
 Max. Load: 45kg  
 Color: Black Ral 9005



CATEGORY	FLAT PANEL TABLE LIFT	DRAWING TYPE	
MODEL	FPLTV2 52-60	DRAFT	FINAL
FEATURE A	SWIVEL UP TO 100°	X	
FEATURE B		REVERSION	DATE
DRAWING No	V1.1.18112014-CA		



ALL RIGHTS STRICTLY RESERVED. REPRODUCTION OR ISSUE TO THIRD PARTIES IN ANY FORM WHATSOEVER, IS NOT PERMITTED WITHOUT WRITTEN AUTHORITY FROM UNITECH SYSTEMS.