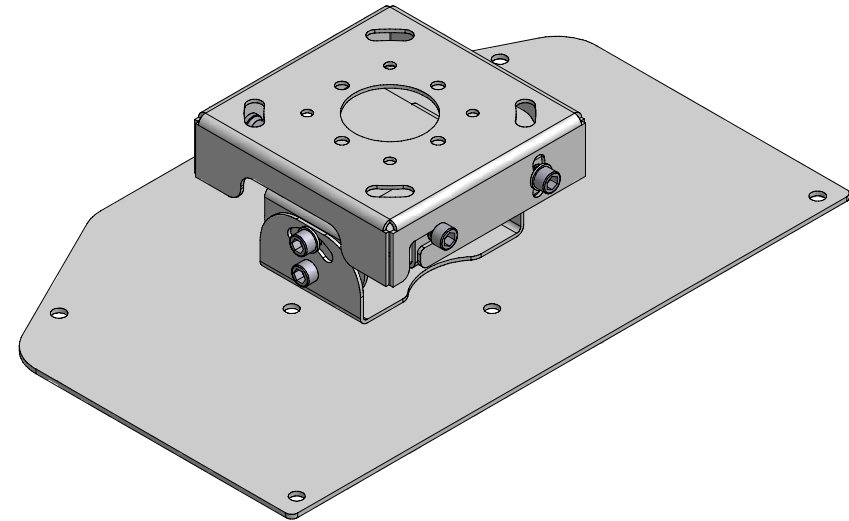
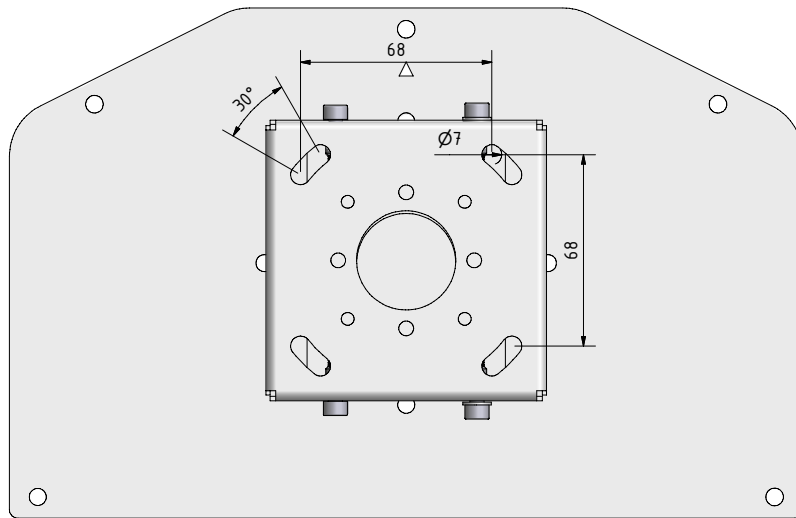
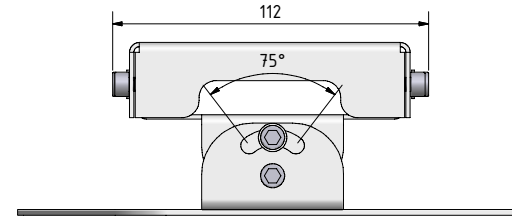
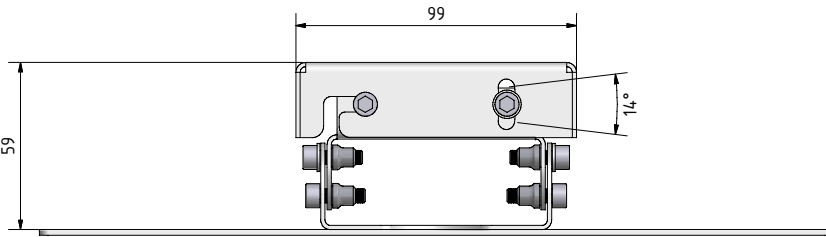


PCMU3.1

+ projector mounting plate (2-25mm)



CATEGORY	PROJECTOR CEILING MOUNT	DRAWING TYPE	
MODEL	PCMU3.1	DRAFT	FINAL
FEATURE	MULTIPLE ADJUSTMENTS (TILT, PITCH, ROTATION)		x
COLOUR	POWDER COATING RAL9005 (BLACK BUFF)	REVISION	DATE
DRAWING No	v1.1.09112016-SK	NO	



ALL RIGHTS STRICTLY RESERVED. REPRODUCTION OR ISSUE TO THIRD PARTIES IN ANY FORM WHATSOEVER, IS NOT PERMITTED WITHOUT WRITTEN AUTHORITY FROM UNITECH SYSTEMS.